

# 副資材一覧

2017/09  
~~2013/12~~  
~~2012/11~~  
~~2010/05~~

| 上レール (アルミ)     |          | 下レール (アルミ)     |               | クランクレール (アルミ)  |               | 持出し下レール (アルミ) |               | ステンスレール     |  |  |
|----------------|----------|----------------|---------------|----------------|---------------|---------------|---------------|-------------|--|--|
| L=3700 D・B・K・U |          | L=3700 D・B・K・U |               | L=3700 D・B・K・U |               | L=4000 D      |               | L=2000      |  |  |
|                |          |                |               |                |               |               |               |             |  |  |
| 4mmEヘア         | 6.5mmEヘア | 9mmEヘア         | 15mmEヘア       | 17mmEヘア        | 24mmEヘア       | 27/20mmEヘア    |               |             |  |  |
| ブラック           | ブラック     | ブラック<br>(グレー)  | ブラック<br>(グレー) | ブラック<br>(グレー)  | ブラック<br>(グレー) | ブラック<br>(グレー) | ブラック<br>(グレー) |             |  |  |
|                |          |                |               |                |               |               |               |             |  |  |
| 30mmEビコム       |          | H2型用召合せコム      |               | 固定網戸コム         |               | ヘアアタッチコム      |               | 9mm両面テープ付ヘア |  |  |
| L=2000 ブラック    |          | ブラック           |               | ブラック           |               | ブラック          |               | ブラック        |  |  |
|                |          |                |               |                |               |               |               |             |  |  |
| K型振れ止め         |          | N型振れ止め         |               | I型アタッチ型材       |               | ハンドルⅢ         |               |             |  |  |
| Aブラウン          |          | ブロンズ           |               | ブロンズ           |               | SUS304        |               |             |  |  |
|                |          |                |               |                |               |               |               |             |  |  |

# E 1型 網戸 中棧なし・手掛付 オーダー価格表

## 合成樹脂ネット 18メッシュ(グレー・ブラック)

| 網戸W<br>網戸H      | ～400    | ～490    | ～590    | ～640    | ～690    | ～790    | ～870    | ～940    | ～1050   | ～1150   | ～1250   | ～1350   | ～1450   |
|-----------------|---------|---------|---------|---------|---------|---------|---------|---------|---------|---------|---------|---------|---------|
| ～ 340           | ¥5,300  | ¥5,400  | ¥6,000  | ¥6,300  | ¥6,400  | ¥6,900  | ¥7,000  | ¥7,400  | ¥7,800  | ¥8,400  | ¥9,000  | ¥9,700  | ¥10,500 |
| ～ 440           | ¥5,900  | ¥6,000  | ¥6,500  | ¥6,700  | ¥6,800  | ¥7,400  | ¥7,700  | ¥7,800  | ¥8,200  | ¥9,200  | ¥9,400  | ¥10,300 | ¥11,000 |
| ～ 540           | ¥6,300  | ¥6,400  | ¥6,800  | ¥7,000  | ¥7,300  | ¥7,700  | ¥7,900  | ¥8,200  | ¥8,800  | ¥9,400  | ¥9,800  | ¥10,700 | ¥11,700 |
| ～ 590           | ¥6,500  | ¥6,700  | ¥7,000  | ¥7,400  | ¥7,500  | ¥7,900  | ¥8,200  | ¥8,400  | ¥9,200  | ¥9,800  | ¥10,300 | ¥10,900 | ¥11,900 |
| ～ 640           | ¥6,800  | ¥6,900  | ¥7,400  | ¥7,700  | ¥7,800  | ¥8,200  | ¥8,400  | ¥8,900  | ¥9,400  | ¥10,200 | ¥10,400 | ¥11,200 | ¥12,200 |
| ～ 690           | ¥6,800  | ¥7,000  | ¥7,500  | ¥7,800  | ¥7,900  | ¥8,300  | ¥8,800  | ¥9,000  | ¥9,500  | ¥10,300 | ¥10,500 | ¥11,400 | ¥12,300 |
| ～ 740           | ¥7,300  | ¥7,400  | ¥7,800  | ¥8,000  | ¥8,200  | ¥8,800  | ¥9,000  | ¥9,300  | ¥9,800  | ¥10,500 | ¥10,900 | ¥11,800 | ¥12,800 |
| ～ 790           | ¥7,400  | ¥7,500  | ¥8,000  | ¥8,200  | ¥8,300  | ¥9,000  | ¥9,300  | ¥9,500  | ¥10,200 | ¥10,800 | ¥11,200 | ¥11,900 | ¥13,000 |
| ～ 840           | ¥7,700  | ¥7,800  | ¥8,200  | ¥8,400  | ¥8,800  | ¥9,200  | ¥9,400  | ¥9,700  | ¥10,400 | ¥11,000 | ¥11,400 | ¥12,200 | ¥13,300 |
| ～ 890           | ¥7,900  | ¥8,000  | ¥8,400  | ¥8,900  | ¥9,000  | ¥9,400  | ¥9,700  | ¥10,000 | ¥10,700 | ¥11,400 | ¥11,800 | ¥12,400 | ¥13,500 |
| ～ 940           | ¥7,900  | ¥8,000  | ¥8,800  | ¥9,000  | ¥9,200  | ¥9,500  | ¥9,800  | ¥10,200 | ¥10,800 | ¥11,700 | ¥11,800 | ¥12,500 | ¥13,700 |
| ～ 990           | ¥8,200  | ¥8,300  | ¥9,000  | ¥9,200  | ¥9,400  | ¥9,800  | ¥10,200 | ¥10,400 | ¥11,000 | ¥11,800 | ¥12,000 | ¥12,900 | ¥13,900 |
| ～ 1040          | ¥8,400  | ¥8,900  | ¥9,300  | ¥9,500  | ¥9,700  | ¥10,200 | ¥10,400 | ¥10,700 | ¥11,400 | ¥12,000 | ¥12,400 | ¥13,300 | ¥14,500 |
| ～ 1090          | ¥8,900  | ¥9,000  | ¥9,400  | ¥9,700  | ¥9,800  | ¥10,300 | ¥10,500 | ¥10,800 | ¥11,800 | ¥12,300 | ¥12,500 | ¥13,400 | ¥14,800 |
| ～ 1140          | ¥9,000  | ¥9,200  | ¥9,500  | ¥9,800  | ¥10,000 | ¥10,400 | ¥10,700 | ¥11,000 | ¥11,800 | ¥12,400 | ¥12,900 | ¥13,500 | ¥14,900 |
| ～ 1190          | ¥9,200  | ¥9,300  | ¥9,700  | ¥9,900  | ¥10,300 | ¥10,500 | ¥10,800 | ¥11,300 | ¥11,800 | ¥12,500 | ¥13,300 | ¥13,700 | ¥15,000 |
| ～ 1240          | ¥9,400  | ¥9,700  | ¥9,900  | ¥10,000 | ¥10,400 | ¥10,800 | ¥10,900 | ¥11,400 | ¥11,900 | ¥12,800 | ¥13,700 | ¥14,000 | ¥15,200 |
| ～ 1290          | ¥9,700  | ¥9,800  | ¥10,000 | ¥10,200 | ¥10,500 | ¥10,900 | ¥10,900 | ¥11,500 | ¥12,000 | ¥13,000 | ¥13,800 | ¥14,200 | ¥15,400 |
| ～ 1340          | ¥9,900  | ¥10,000 | ¥10,300 | ¥10,400 | ¥10,900 | ¥11,000 | ¥11,300 | ¥11,800 | ¥12,400 | ¥13,400 | ¥14,000 | ¥14,400 | ¥15,900 |
| ～ 1390          | ¥10,000 | ¥10,200 | ¥10,400 | ¥10,700 | ¥11,300 | ¥11,300 | ¥11,400 | ¥12,000 | ¥12,500 | ¥13,500 | ¥14,300 | ¥14,500 | ¥16,000 |
| ～ 1440          | ¥10,200 | ¥10,300 | ¥10,500 | ¥11,000 | ¥11,300 | ¥11,400 | ¥11,500 | ¥12,300 | ¥12,800 | ¥13,800 | ¥14,400 | ¥14,800 | ¥16,300 |
| ～ 1490          | ¥10,400 | ¥10,500 | ¥11,000 | ¥11,200 | ¥11,500 | ¥11,700 | ¥11,900 | ¥12,500 | ¥13,300 | ¥14,000 | ¥14,800 | ¥15,000 | ¥16,800 |
| ～ 1540          | ¥10,900 | ¥11,000 | ¥11,800 | ¥12,000 | ¥12,200 | ¥12,800 | ¥13,000 | ¥13,400 | ¥14,500 | ¥15,300 | ¥15,800 | ¥16,700 | ¥18,400 |
| ～ 1590          | ¥11,200 | ¥11,400 | ¥11,900 | ¥12,300 | ¥12,400 | ¥13,000 | ¥13,300 | ¥13,700 | ¥14,800 | ¥15,800 | ¥16,200 | ¥17,300 | ¥18,700 |
| ～ 1640          | ¥11,700 | ¥11,800 | ¥12,200 | ¥12,500 | ¥12,800 | ¥13,300 | ¥13,500 | ¥13,900 | ¥15,000 | ¥16,200 | ¥16,500 | ¥17,700 | ¥19,000 |
| ～ 1690          |         |         |         | ¥13,800 | ¥14,200 | ¥14,800 | ¥15,000 | ¥15,500 | ¥16,300 | ¥17,400 | ¥17,800 | ¥18,800 | ¥19,200 |
| ～ 1890          |         |         |         | ¥14,500 | ¥14,800 | ¥15,200 | ¥15,700 | ¥16,000 | ¥16,900 | ¥17,900 | ¥18,400 | ¥19,300 | ¥19,800 |
| ～ 1990          |         |         |         | ¥15,200 | ¥15,500 | ¥15,900 | ¥16,300 | ¥16,700 | ¥17,800 | ¥18,500 | ¥19,000 | ¥20,200 | ¥20,700 |
| ～ 2090          |         |         |         | ¥15,300 | ¥15,800 | ¥16,200 | ¥16,400 | ¥17,000 | ¥18,000 | ¥18,800 | ¥19,300 | ¥20,400 | ¥20,800 |
| ～ 2190          |         |         |         | ¥16,000 | ¥16,400 | ¥16,900 | ¥17,300 | ¥17,800 | ¥18,700 | ¥19,700 | ¥20,200 | ¥21,200 | ¥21,700 |
| ～ 2370          |         |         |         | ¥18,700 | ¥18,900 | ¥19,400 | ¥19,800 | ¥20,400 | ¥21,500 | ¥22,500 | ¥23,000 | ¥24,200 | ¥24,500 |
| 手掛<br>1set2個    | ¥1,500  |         |         |         |         |         |         |         |         |         |         |         |         |
| オプション<br>N型振止仕様 | ¥2,000  |         |         |         |         |         | ¥2,500  |         |         |         |         |         |         |

●中棧なし・片面(押えゴム側左右)手掛付仕様です。両面手掛付の場合追加金額を、加算して下さい。

●N型振止仕様(上部ドブ溝仕様)網戸は、オプション金額を加算して下さい。

### 発注上のお願 & 注意事項

●網戸(合成樹脂ネット ポリプロピレン樹脂製 18メッシュ)1枚の価格です。

●表示価格には、消費税は含まれておりません。

# E 2型 網戸 中棧付・手掛付 オーダー価格表

## 合成樹脂ネット 18メッシュ(グレー・ブラック)

| 網戸W<br>網戸H      | ~400    | ~490    | ~590    | ~640    | ~690    | ~790    | ~870    | ~940    | ~1050   | ~1150   | ~1250   | ~1350   | ~1450   |
|-----------------|---------|---------|---------|---------|---------|---------|---------|---------|---------|---------|---------|---------|---------|
| ~ 340           | ¥5,800  | ¥5,900  | ¥6,700  | ¥7,100  | ¥7,200  | ¥7,800  | ¥8,100  | ¥8,500  | ¥9,000  | ¥9,600  | ¥10,200 | ¥11,200 | ¥12,000 |
| ~ 440           | ¥6,400  | ¥6,500  | ¥7,200  | ¥7,500  | ¥7,600  | ¥8,300  | ¥8,800  | ¥8,900  | ¥9,400  | ¥10,400 | ¥10,600 | ¥11,800 | ¥12,500 |
| ~ 540           | ¥6,800  | ¥6,900  | ¥7,500  | ¥7,800  | ¥8,100  | ¥8,600  | ¥9,000  | ¥9,300  | ¥10,000 | ¥10,600 | ¥11,000 | ¥12,200 | ¥13,200 |
| ~ 590           | ¥7,000  | ¥7,200  | ¥7,700  | ¥8,200  | ¥8,300  | ¥8,800  | ¥9,300  | ¥9,500  | ¥10,400 | ¥11,000 | ¥11,500 | ¥12,400 | ¥13,400 |
| ~ 640           | ¥7,300  | ¥7,400  | ¥8,100  | ¥8,500  | ¥8,600  | ¥9,100  | ¥9,500  | ¥10,000 | ¥10,600 | ¥11,400 | ¥11,600 | ¥12,700 | ¥13,700 |
| ~ 690           | ¥7,300  | ¥7,500  | ¥8,200  | ¥8,600  | ¥8,700  | ¥9,200  | ¥9,900  | ¥10,100 | ¥10,700 | ¥11,500 | ¥11,700 | ¥12,900 | ¥13,800 |
| ~ 740           | ¥7,800  | ¥7,900  | ¥8,500  | ¥8,800  | ¥9,000  | ¥9,700  | ¥10,100 | ¥10,400 | ¥11,000 | ¥11,700 | ¥12,100 | ¥13,300 | ¥14,300 |
| ~ 790           | ¥7,900  | ¥8,000  | ¥8,700  | ¥9,000  | ¥9,100  | ¥9,900  | ¥10,400 | ¥10,600 | ¥11,400 | ¥12,000 | ¥12,400 | ¥13,400 | ¥14,500 |
| ~ 840           | ¥8,200  | ¥8,300  | ¥8,900  | ¥9,200  | ¥9,600  | ¥10,100 | ¥10,500 | ¥10,800 | ¥11,600 | ¥12,200 | ¥12,600 | ¥13,700 | ¥14,800 |
| ~ 890           | ¥8,400  | ¥8,500  | ¥9,100  | ¥9,700  | ¥9,800  | ¥10,300 | ¥10,800 | ¥11,100 | ¥11,900 | ¥12,600 | ¥13,000 | ¥13,900 | ¥15,000 |
| ~ 940           | ¥8,400  | ¥8,500  | ¥9,500  | ¥9,800  | ¥10,000 | ¥10,400 | ¥10,900 | ¥11,300 | ¥12,000 | ¥12,900 | ¥13,000 | ¥14,000 | ¥15,200 |
| ~ 990           | ¥8,700  | ¥8,800  | ¥9,700  | ¥10,000 | ¥10,200 | ¥10,700 | ¥11,300 | ¥11,500 | ¥12,200 | ¥13,000 | ¥13,200 | ¥14,400 | ¥15,400 |
| ~ 1040          | ¥8,900  | ¥9,400  | ¥10,000 | ¥10,300 | ¥10,500 | ¥11,100 | ¥11,500 | ¥11,800 | ¥12,600 | ¥13,200 | ¥13,600 | ¥14,800 | ¥16,000 |
| ~ 1090          | ¥9,400  | ¥9,500  | ¥10,100 | ¥10,500 | ¥10,600 | ¥11,200 | ¥11,600 | ¥11,900 | ¥13,000 | ¥13,500 | ¥13,700 | ¥14,900 | ¥16,300 |
| ~ 1140          | ¥9,500  | ¥9,700  | ¥10,200 | ¥10,600 | ¥10,800 | ¥11,300 | ¥11,800 | ¥12,100 | ¥13,000 | ¥13,600 | ¥14,100 | ¥15,000 | ¥16,400 |
| ~ 1190          | ¥9,700  | ¥9,800  | ¥10,400 | ¥10,700 | ¥11,100 | ¥11,400 | ¥11,900 | ¥12,400 | ¥13,000 | ¥13,700 | ¥14,500 | ¥15,200 | ¥16,500 |
| ~ 1240          | ¥9,900  | ¥10,200 | ¥10,600 | ¥10,800 | ¥11,200 | ¥11,700 | ¥12,000 | ¥12,500 | ¥13,100 | ¥14,000 | ¥14,900 | ¥15,500 | ¥16,700 |
| ~ 1290          | ¥10,200 | ¥10,300 | ¥10,700 | ¥11,000 | ¥11,300 | ¥11,800 | ¥12,000 | ¥12,600 | ¥13,200 | ¥14,200 | ¥15,000 | ¥15,700 | ¥16,900 |
| ~ 1340          | ¥10,400 | ¥10,500 | ¥11,000 | ¥11,200 | ¥11,700 | ¥11,900 | ¥12,400 | ¥12,900 | ¥13,600 | ¥14,600 | ¥15,200 | ¥15,900 | ¥17,400 |
| ~ 1390          | ¥10,500 | ¥10,700 | ¥11,100 | ¥11,500 | ¥12,100 | ¥12,200 | ¥12,500 | ¥13,100 | ¥13,700 | ¥14,700 | ¥15,500 | ¥16,000 | ¥17,500 |
| ~ 1440          | ¥10,700 | ¥10,800 | ¥11,200 | ¥11,800 | ¥12,100 | ¥12,300 | ¥12,600 | ¥13,400 | ¥14,000 | ¥15,000 | ¥15,600 | ¥16,300 | ¥17,800 |
| ~ 1490          | ¥10,900 | ¥11,000 | ¥11,700 | ¥12,000 | ¥12,300 | ¥12,600 | ¥13,000 | ¥13,600 | ¥14,500 | ¥15,200 | ¥16,000 | ¥16,500 | ¥18,300 |
| ~ 1540          | ¥11,400 | ¥11,500 | ¥12,500 | ¥12,800 | ¥13,000 | ¥13,700 | ¥14,100 | ¥14,500 | ¥15,700 | ¥16,500 | ¥17,000 | ¥18,200 | ¥19,900 |
| ~ 1590          | ¥11,700 | ¥11,900 | ¥12,600 | ¥13,100 | ¥13,200 | ¥13,900 | ¥14,400 | ¥14,800 | ¥16,000 | ¥17,000 | ¥17,400 | ¥18,800 | ¥20,200 |
| ~ 1640          | ¥12,200 | ¥12,300 | ¥12,900 | ¥13,300 | ¥13,600 | ¥14,200 | ¥14,600 | ¥15,000 | ¥16,200 | ¥17,400 | ¥17,700 | ¥19,200 | ¥20,500 |
| ~ 1690          |         |         |         | ¥14,600 | ¥15,000 | ¥15,700 | ¥16,100 | ¥16,600 | ¥17,500 | ¥18,600 | ¥19,000 | ¥20,300 | ¥20,700 |
| ~ 1890          |         |         |         | ¥15,300 | ¥15,600 | ¥16,100 | ¥16,800 | ¥17,100 | ¥18,100 | ¥19,100 | ¥19,600 | ¥20,800 | ¥21,300 |
| ~ 1990          |         |         |         | ¥16,000 | ¥16,300 | ¥16,800 | ¥17,400 | ¥17,800 | ¥19,000 | ¥19,700 | ¥20,200 | ¥21,700 | ¥22,200 |
| ~ 2090          |         |         |         | ¥16,100 | ¥16,600 | ¥17,100 | ¥17,500 | ¥18,100 | ¥19,200 | ¥20,000 | ¥20,500 | ¥21,900 | ¥22,300 |
| ~ 2190          |         |         |         | ¥16,800 | ¥17,200 | ¥17,800 | ¥18,400 | ¥18,900 | ¥19,900 | ¥20,900 | ¥21,400 | ¥22,700 | ¥23,200 |
| ~ 2370          |         |         |         | ¥19,500 | ¥19,700 | ¥20,300 | ¥20,900 | ¥21,500 | ¥22,700 | ¥23,700 | ¥24,200 | ¥25,700 | ¥26,000 |
| 中棧<br>追加金額      | ¥500    | ¥1,100  |         |         |         |         |         | ¥1,200  |         |         |         | ¥1,500  |         |
| 手掛<br>1set2個    | ¥1,500  |         |         |         |         |         |         |         |         |         |         |         |         |
| オプション<br>N型振止仕様 | ¥2,000  |         |         |         |         |         | ¥2,500  |         |         |         |         |         |         |

●中棧付・片面(押えゴム側左右)手掛付仕様です。両面手掛付時、中棧追加の場合  
は、追加金額を加算して下さい。

●ネットは1枚張です。ネット張分けの場合、張分け追加金額を加算して下さい。

●N型振止仕様(上部ドブ溝仕様)網戸は、オプション金額を加算して下さい。

### 発注上のお願い & 注意事項

●網戸(合成樹脂ネット ポリプロピレン樹脂製 18メッシュ)1枚の価格です。

●表示価格には、消費税は含まれておりません。

| 合成樹脂ネット 18メッシュ 張分け追加金額 |       |       |        |
|------------------------|-------|-------|--------|
| 網戸W                    | ~W400 | ~W910 | ~W1450 |
| 張分け<br>追加金額            | ¥250  | ¥550  | ¥750   |

上記は合成樹脂ネット18メッシュの価格です。その他のネットは、網戸製作時割増カタログをご参照下さい。

# E 3型 網戸 中棧付手掛なし オーダー価格表

## 合成樹脂ネット 18メッシュ(グレー・ブラック)

| 網戸W<br>網戸H      | 150~400 | ~490    | ~590    | ~640    | ~690    | ~790    | ~870    | ~940    | ~1050   | ~1150   | ~1250   | ~1350   | ~1450   |
|-----------------|---------|---------|---------|---------|---------|---------|---------|---------|---------|---------|---------|---------|---------|
| ~ 340           | ¥4,300  | ¥4,400  | ¥5,200  | ¥5,600  | ¥5,700  | ¥6,300  | ¥6,600  | ¥7,000  | ¥7,500  | ¥8,100  | ¥8,700  | ¥9,700  | ¥10,500 |
| ~ 440           | ¥4,900  | ¥5,000  | ¥5,700  | ¥6,000  | ¥6,100  | ¥6,800  | ¥7,300  | ¥7,400  | ¥7,900  | ¥8,900  | ¥9,100  | ¥10,300 | ¥11,000 |
| ~ 540           | ¥5,300  | ¥5,400  | ¥6,000  | ¥6,300  | ¥6,600  | ¥7,100  | ¥7,500  | ¥7,800  | ¥8,500  | ¥9,100  | ¥9,500  | ¥10,700 | ¥11,700 |
| ~ 590           | ¥5,500  | ¥5,700  | ¥6,200  | ¥6,700  | ¥6,800  | ¥7,300  | ¥7,800  | ¥8,000  | ¥8,900  | ¥9,500  | ¥10,000 | ¥10,900 | ¥11,900 |
| ~ 640           | ¥5,800  | ¥5,900  | ¥6,600  | ¥7,000  | ¥7,100  | ¥7,600  | ¥8,000  | ¥8,500  | ¥9,100  | ¥9,900  | ¥10,100 | ¥11,200 | ¥12,200 |
| ~ 690           | ¥5,800  | ¥6,000  | ¥6,700  | ¥7,100  | ¥7,200  | ¥7,700  | ¥8,400  | ¥8,600  | ¥9,200  | ¥10,000 | ¥10,200 | ¥11,400 | ¥12,300 |
| ~ 740           | ¥5,800  | ¥6,000  | ¥6,700  | ¥7,100  | ¥7,200  | ¥7,700  | ¥8,400  | ¥8,600  | ¥9,200  | ¥10,000 | ¥10,200 | ¥11,400 | ¥12,300 |
| ~ 790           | ¥6,400  | ¥6,500  | ¥7,200  | ¥7,500  | ¥7,600  | ¥8,400  | ¥8,900  | ¥9,100  | ¥9,900  | ¥10,500 | ¥10,900 | ¥11,900 | ¥13,000 |
| ~ 840           | ¥6,700  | ¥6,800  | ¥7,400  | ¥7,700  | ¥8,100  | ¥8,600  | ¥9,000  | ¥9,300  | ¥10,100 | ¥10,700 | ¥11,100 | ¥12,200 | ¥13,300 |
| ~ 890           | ¥6,900  | ¥7,000  | ¥7,600  | ¥8,200  | ¥8,300  | ¥8,800  | ¥9,300  | ¥9,600  | ¥10,400 | ¥11,100 | ¥11,500 | ¥12,400 | ¥13,500 |
| ~ 940           | ¥6,900  | ¥7,000  | ¥8,000  | ¥8,300  | ¥8,500  | ¥8,900  | ¥9,400  | ¥9,800  | ¥10,500 | ¥11,400 | ¥11,500 | ¥12,500 | ¥13,700 |
| ~ 990           | ¥7,200  | ¥7,300  | ¥8,200  | ¥8,500  | ¥8,700  | ¥9,200  | ¥9,800  | ¥10,000 | ¥10,700 | ¥11,500 | ¥11,700 | ¥12,900 | ¥13,900 |
| ~ 1040          | ¥7,400  | ¥7,900  | ¥8,500  | ¥8,800  | ¥9,000  | ¥9,600  | ¥10,000 | ¥10,300 | ¥11,100 | ¥11,700 | ¥12,100 | ¥13,300 | ¥14,500 |
| ~ 1090          | ¥7,900  | ¥8,000  | ¥8,600  | ¥9,000  | ¥9,100  | ¥9,700  | ¥10,100 | ¥10,400 | ¥11,500 | ¥12,000 | ¥12,200 | ¥13,400 | ¥14,800 |
| ~ 1140          | ¥8,000  | ¥8,200  | ¥8,700  | ¥9,100  | ¥9,300  | ¥9,800  | ¥10,300 | ¥10,600 | ¥11,500 | ¥12,100 | ¥12,600 | ¥13,500 | ¥14,900 |
| ~ 1190          | ¥8,200  | ¥8,300  | ¥8,900  | ¥9,200  | ¥9,600  | ¥9,900  | ¥10,400 | ¥10,900 | ¥11,500 | ¥12,200 | ¥13,000 | ¥13,700 | ¥15,000 |
| ~ 1240          | ¥8,400  | ¥8,700  | ¥9,100  | ¥9,300  | ¥9,700  | ¥10,200 | ¥10,500 | ¥11,000 | ¥11,600 | ¥12,500 | ¥13,400 | ¥14,000 | ¥15,200 |
| ~ 1290          | ¥8,700  | ¥8,800  | ¥9,200  | ¥9,500  | ¥9,800  | ¥10,300 | ¥10,500 | ¥11,100 | ¥11,700 | ¥12,700 | ¥13,500 | ¥14,200 | ¥15,400 |
| ~ 1340          | ¥8,900  | ¥9,000  | ¥9,500  | ¥9,700  | ¥10,200 | ¥10,400 | ¥10,900 | ¥11,400 | ¥12,100 | ¥13,100 | ¥13,700 | ¥14,400 | ¥15,900 |
| ~ 1390          | ¥9,000  | ¥9,200  | ¥9,600  | ¥10,000 | ¥10,600 | ¥10,700 | ¥11,000 | ¥11,600 | ¥12,200 | ¥13,200 | ¥14,000 | ¥14,500 | ¥16,000 |
| ~ 1440          | ¥9,200  | ¥9,300  | ¥9,700  | ¥10,300 | ¥10,600 | ¥10,800 | ¥11,100 | ¥11,900 | ¥12,500 | ¥13,500 | ¥14,100 | ¥14,800 | ¥16,300 |
| ~ 1490          | ¥9,400  | ¥9,500  | ¥10,200 | ¥10,500 | ¥10,800 | ¥11,100 | ¥11,500 | ¥12,100 | ¥13,000 | ¥13,700 | ¥14,500 | ¥15,000 | ¥16,800 |
| ~ 1540          | ¥9,900  | ¥10,000 | ¥11,000 | ¥11,300 | ¥11,500 | ¥12,200 | ¥12,600 | ¥13,000 | ¥14,200 | ¥15,000 | ¥15,500 | ¥16,700 | ¥18,400 |
| ~ 1590          | ¥10,200 | ¥10,400 | ¥11,100 | ¥11,600 | ¥11,700 | ¥12,400 | ¥12,900 | ¥13,300 | ¥14,500 | ¥15,500 | ¥15,900 | ¥17,300 | ¥18,700 |
| ~ 1640          | ¥10,700 | ¥10,800 | ¥11,400 | ¥11,800 | ¥12,100 | ¥12,700 | ¥13,100 | ¥13,500 | ¥14,700 | ¥15,900 | ¥16,200 | ¥17,700 | ¥19,000 |
| ~ 1690          |         |         |         | ¥13,100 | ¥13,500 | ¥14,200 | ¥14,600 | ¥15,100 | ¥16,000 | ¥17,100 | ¥17,500 | ¥18,800 | ¥19,200 |
| ~ 1890          |         |         |         | ¥13,800 | ¥14,100 | ¥14,600 | ¥15,300 | ¥15,600 | ¥16,600 | ¥17,600 | ¥18,100 | ¥19,300 | ¥19,800 |
| ~ 1990          |         |         |         | ¥14,500 | ¥14,800 | ¥15,300 | ¥15,900 | ¥16,300 | ¥17,500 | ¥18,200 | ¥18,700 | ¥20,200 | ¥20,700 |
| ~ 2090          |         |         |         | ¥14,600 | ¥15,100 | ¥15,600 | ¥16,000 | ¥16,600 | ¥17,700 | ¥18,500 | ¥19,000 | ¥20,400 | ¥20,800 |
| ~ 2190          |         |         |         | ¥15,300 | ¥15,700 | ¥16,300 | ¥16,900 | ¥17,400 | ¥18,400 | ¥19,400 | ¥19,900 | ¥21,200 | ¥21,700 |
| ~ 2370          |         |         |         | ¥18,000 | ¥18,200 | ¥18,800 | ¥19,400 | ¥20,000 | ¥21,200 | ¥22,200 | ¥22,700 | ¥24,200 | ¥24,500 |
| 中棧<br>追加金額      | ¥500    | ¥1,100  |         |         |         |         |         | ¥1,200  |         |         |         | ¥1,500  |         |
| オプション<br>N型振止仕様 | ¥2,000  |         |         |         |         |         |         | ¥2,500  |         |         |         |         |         |

● 中棧付・手掛なし仕様です。中棧を追加する場合は中棧追加金額を加算して下さい。

● ネットは1枚張です。ネット張分けの場合、張分け追加金額を加算して下さい。

### 発注上のお願い & 注意事項

● 網戸(合成樹脂ネット ポリプロピレン樹脂製 18メッシュ)1枚の価格です。

● 表示価格には、消費税は含まれておりません。

| 合成樹脂ネット 18メッシュ 張分け追加金額                             |       |       |        |
|----------------------------------------------------|-------|-------|--------|
| 網戸W                                                | ~W400 | ~W910 | ~W1450 |
| 張分け<br>追加金額                                        | ¥250  | ¥550  | ¥750   |
| 上記は合成樹脂ネット18メッシュの価格です。その他のネットは、網戸製作時割増カタログをご参照下さい。 |       |       |        |

## E 4型 網戸 中棧・手掛なし オーダー価格表

### 合成樹脂ネット 18メッシュ(グレー・ブラック)

| 網戸W<br>網戸H      | 150~400 | ~490    | ~590    | ~640    | ~690    | ~790    | ~870    | ~940    | ~1050   | ~1150   | ~1250   | ~1350   | ~1450   |
|-----------------|---------|---------|---------|---------|---------|---------|---------|---------|---------|---------|---------|---------|---------|
| ~ 340           | ¥3,800  | ¥3,900  | ¥4,500  | ¥4,800  | ¥4,900  | ¥5,400  | ¥5,500  | ¥5,900  | ¥6,300  | ¥6,900  | ¥7,500  | ¥8,200  | ¥9,000  |
| ~ 440           | ¥4,400  | ¥4,500  | ¥5,000  | ¥5,200  | ¥5,300  | ¥5,900  | ¥6,200  | ¥6,300  | ¥6,700  | ¥7,700  | ¥7,900  | ¥8,800  | ¥9,500  |
| ~ 540           | ¥4,800  | ¥4,900  | ¥5,300  | ¥5,500  | ¥5,800  | ¥6,200  | ¥6,400  | ¥6,700  | ¥7,300  | ¥7,900  | ¥8,300  | ¥9,200  | ¥10,200 |
| ~ 590           | ¥5,000  | ¥5,200  | ¥5,500  | ¥5,900  | ¥6,000  | ¥6,400  | ¥6,700  | ¥6,900  | ¥7,700  | ¥8,300  | ¥8,800  | ¥9,400  | ¥10,400 |
| ~ 640           | ¥5,300  | ¥5,400  | ¥5,900  | ¥6,200  | ¥6,300  | ¥6,700  | ¥6,900  | ¥7,400  | ¥7,900  | ¥8,700  | ¥8,900  | ¥9,700  | ¥10,700 |
| ~ 690           | ¥5,300  | ¥5,500  | ¥6,000  | ¥6,300  | ¥6,400  | ¥6,800  | ¥7,300  | ¥7,500  | ¥8,000  | ¥8,800  | ¥9,000  | ¥9,900  | ¥10,800 |
| ~ 740           | ¥5,800  | ¥5,900  | ¥6,300  | ¥6,500  | ¥6,700  | ¥7,300  | ¥7,500  | ¥7,800  | ¥8,300  | ¥9,000  | ¥9,400  | ¥10,300 | ¥11,300 |
| ~ 790           | ¥5,900  | ¥6,000  | ¥6,500  | ¥6,700  | ¥6,800  | ¥7,500  | ¥7,800  | ¥8,000  | ¥8,700  | ¥9,300  | ¥9,700  | ¥10,400 | ¥11,500 |
| ~ 840           | ¥6,200  | ¥6,300  | ¥6,700  | ¥6,900  | ¥7,300  | ¥7,700  | ¥7,900  | ¥8,200  | ¥8,900  | ¥9,500  | ¥9,900  | ¥10,700 | ¥11,800 |
| ~ 890           | ¥6,400  | ¥6,500  | ¥6,900  | ¥7,400  | ¥7,500  | ¥7,900  | ¥8,200  | ¥8,500  | ¥9,200  | ¥9,900  | ¥10,300 | ¥10,900 | ¥12,000 |
| ~ 940           | ¥6,400  | ¥6,500  | ¥7,300  | ¥7,500  | ¥7,700  | ¥8,000  | ¥8,300  | ¥8,700  | ¥9,300  | ¥10,200 | ¥10,300 | ¥11,000 | ¥12,200 |
| ~ 990           | ¥6,700  | ¥6,800  | ¥7,500  | ¥7,700  | ¥7,900  | ¥8,300  | ¥8,700  | ¥8,900  | ¥9,500  | ¥10,300 | ¥10,500 | ¥11,400 | ¥12,400 |
| ~ 1040          | ¥6,900  | ¥7,400  | ¥7,800  | ¥8,000  | ¥8,200  | ¥8,700  | ¥8,900  | ¥9,200  | ¥9,900  | ¥10,500 | ¥10,900 | ¥11,800 | ¥13,000 |
| ~ 1090          | ¥7,400  | ¥7,500  | ¥7,900  | ¥8,200  | ¥8,300  | ¥8,800  | ¥9,000  | ¥9,300  | ¥10,300 | ¥10,800 | ¥11,000 | ¥11,900 | ¥13,300 |
| ~ 1140          | ¥7,500  | ¥7,700  | ¥8,000  | ¥8,300  | ¥8,500  | ¥8,900  | ¥9,200  | ¥9,500  | ¥10,300 | ¥10,900 | ¥11,400 | ¥12,000 | ¥13,400 |
| ~ 1190          | ¥7,700  | ¥7,800  | ¥8,200  | ¥8,400  | ¥8,800  | ¥9,000  | ¥9,300  | ¥9,800  | ¥10,300 | ¥11,000 | ¥11,800 | ¥12,200 | ¥13,500 |
| ~ 1240          | ¥7,900  | ¥8,200  | ¥8,400  | ¥8,500  | ¥8,900  | ¥9,300  | ¥9,400  | ¥9,900  | ¥10,400 | ¥11,300 | ¥12,200 | ¥12,500 | ¥13,700 |
| ~ 1290          | ¥8,200  | ¥8,300  | ¥8,500  | ¥8,700  | ¥9,000  | ¥9,400  | ¥9,400  | ¥10,000 | ¥10,500 | ¥11,500 | ¥12,300 | ¥12,700 | ¥13,900 |
| ~ 1340          | ¥8,400  | ¥8,500  | ¥8,800  | ¥8,900  | ¥9,400  | ¥9,500  | ¥9,800  | ¥10,300 | ¥10,900 | ¥11,900 | ¥12,500 | ¥12,900 | ¥14,400 |
| ~ 1390          | ¥8,500  | ¥8,700  | ¥8,900  | ¥9,200  | ¥9,800  | ¥9,800  | ¥9,900  | ¥10,500 | ¥11,000 | ¥12,000 | ¥12,800 | ¥13,000 | ¥14,500 |
| ~ 1440          | ¥8,700  | ¥8,800  | ¥9,000  | ¥9,500  | ¥9,800  | ¥9,900  | ¥10,000 | ¥10,800 | ¥11,300 | ¥12,300 | ¥12,900 | ¥13,300 | ¥14,800 |
| ~ 1490          | ¥8,900  | ¥9,000  | ¥9,500  | ¥9,700  | ¥10,000 | ¥10,200 | ¥10,400 | ¥11,000 | ¥11,800 | ¥12,500 | ¥13,300 | ¥13,500 | ¥15,300 |
| ~ 1540          | ¥9,400  | ¥9,500  | ¥10,300 | ¥10,500 | ¥10,700 | ¥11,300 | ¥11,500 | ¥11,900 | ¥13,000 | ¥13,800 | ¥14,300 | ¥15,200 | ¥16,900 |
| ~ 1590          | ¥9,700  | ¥9,900  | ¥10,400 | ¥10,800 | ¥10,900 | ¥11,500 | ¥11,800 | ¥12,200 | ¥13,300 | ¥14,300 | ¥14,700 | ¥15,800 | ¥17,200 |
| ~ 1640          | ¥10,200 | ¥10,300 | ¥10,700 | ¥11,000 | ¥11,300 | ¥11,800 | ¥12,000 | ¥12,400 | ¥13,500 | ¥14,700 | ¥15,000 | ¥16,200 | ¥17,500 |
| ~ 1690          |         |         |         | ¥12,300 | ¥12,700 | ¥13,300 | ¥13,500 | ¥14,000 | ¥14,800 | ¥15,900 | ¥16,300 | ¥17,300 | ¥17,700 |
| ~ 1890          |         |         |         | ¥13,000 | ¥13,300 | ¥13,700 | ¥14,200 | ¥14,500 | ¥15,400 | ¥16,400 | ¥16,900 | ¥17,800 | ¥18,300 |
| ~ 1990          |         |         |         | ¥13,700 | ¥14,000 | ¥14,400 | ¥14,800 | ¥15,200 | ¥16,300 | ¥17,000 | ¥17,500 | ¥18,700 | ¥19,200 |
| ~ 2090          |         |         |         | ¥13,800 | ¥14,300 | ¥14,700 | ¥14,900 | ¥15,500 | ¥16,500 | ¥17,300 | ¥17,800 | ¥18,900 | ¥19,300 |
| ~ 2190          |         |         |         | ¥14,500 | ¥14,900 | ¥15,400 | ¥15,800 | ¥16,300 | ¥17,200 | ¥18,200 | ¥18,700 | ¥19,700 | ¥20,200 |
| ~ 2370          |         |         |         | ¥17,200 | ¥17,400 | ¥17,900 | ¥18,300 | ¥18,900 | ¥20,000 | ¥21,000 | ¥21,500 | ¥22,700 | ¥23,000 |
| オプション<br>N型振止仕様 | ¥2,000  |         |         |         |         |         |         | ¥2,500  |         |         |         |         |         |

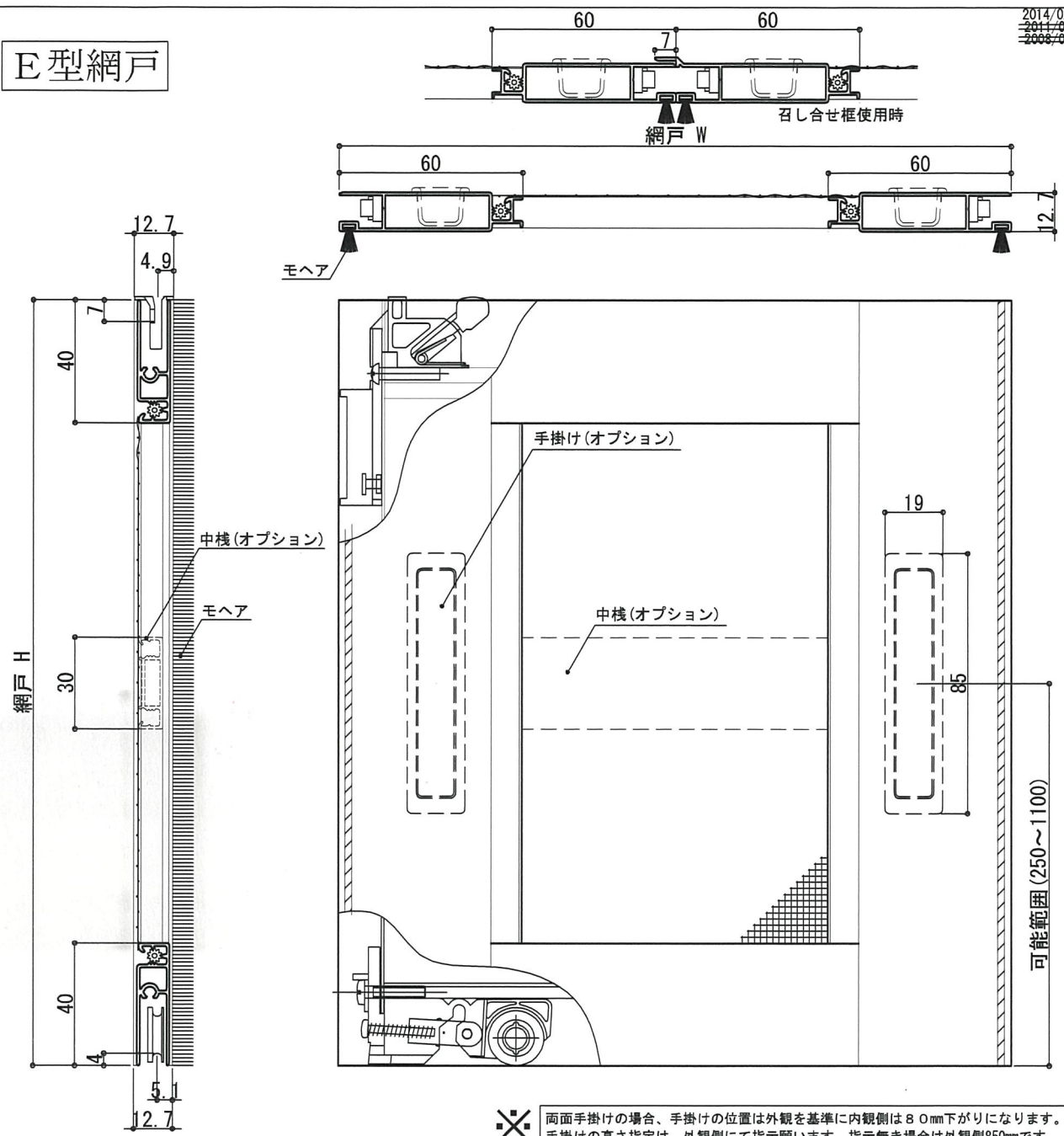
●中棧なし・手掛なし仕様です。

#### 発注上のお願い & 注意事項

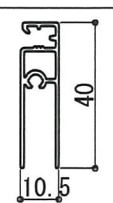
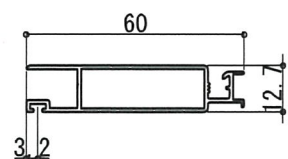
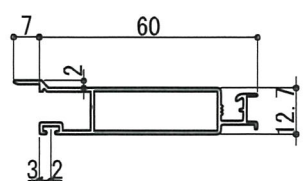
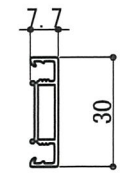
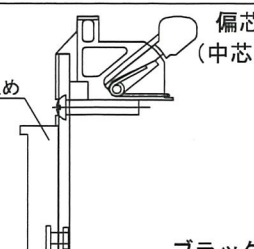
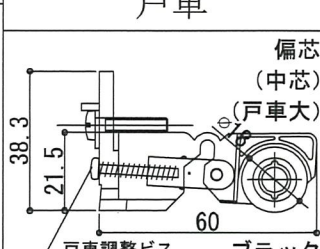
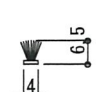
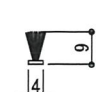
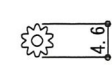
●網戸(合成樹脂ネット ポリプロピレン樹脂製 18メッシュ)1枚の価格です。

●表示価格には、消費税は含まれておりません。

# E型網戸

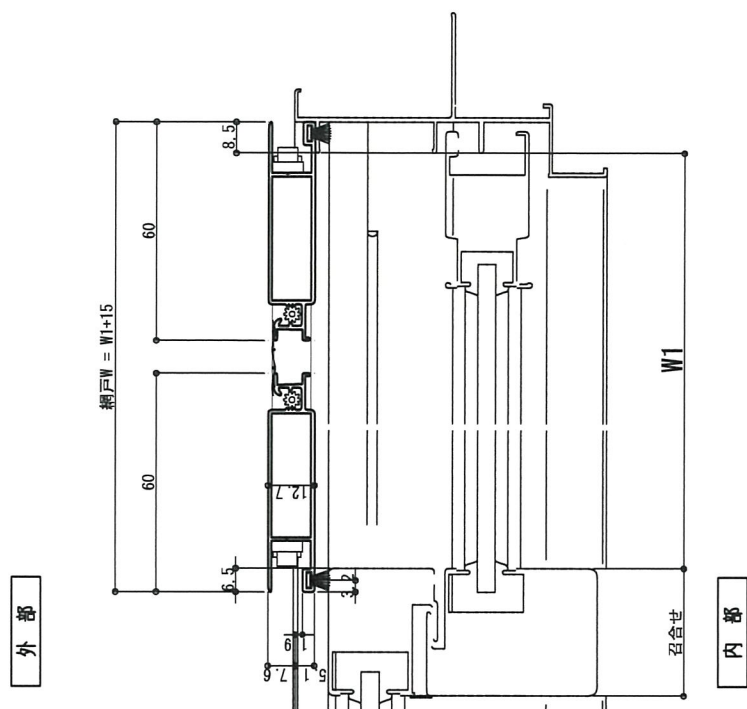
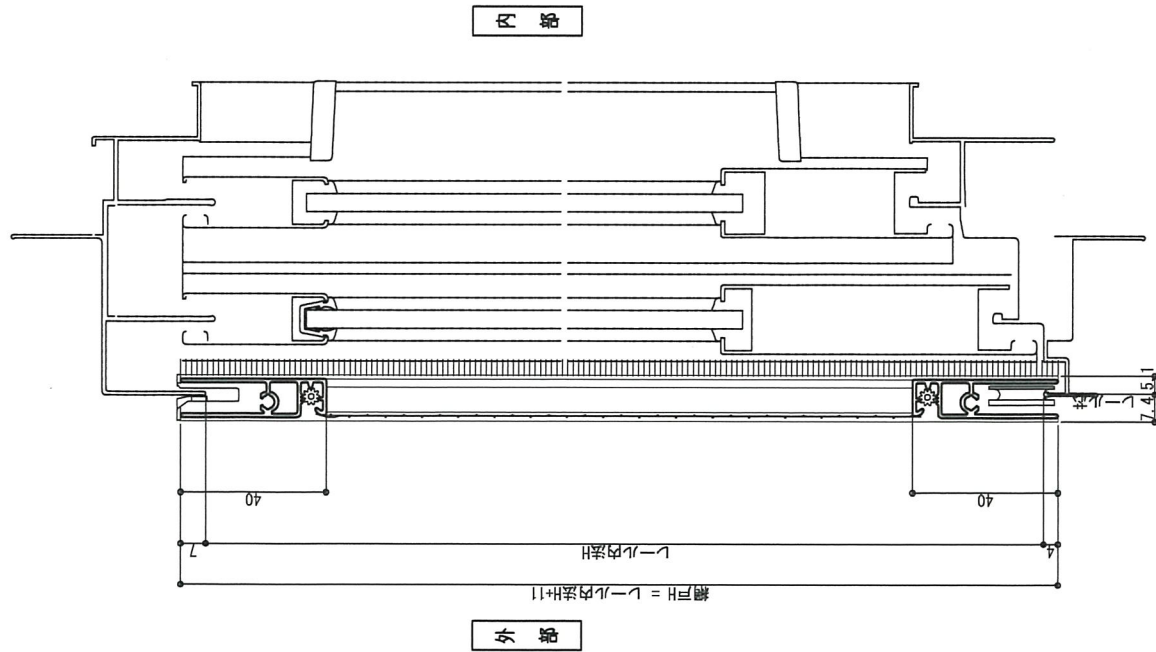


※ 両面手掛けの場合、手掛けの位置は外観を基準に内観側は80mm下がりになります。手掛けの高さ指定は、外観側にて指示願います。指示無き場合は外観側850mmです。

| V型上下棧                                                                                                          | E型縦框                                                                                                                          | E型召合せ框                                                                                                                                                                                                                              | 中棧 (オプション)                                                                                                  |
|----------------------------------------------------------------------------------------------------------------|-------------------------------------------------------------------------------------------------------------------------------|-------------------------------------------------------------------------------------------------------------------------------------------------------------------------------------------------------------------------------------|-------------------------------------------------------------------------------------------------------------|
| <br>10.5<br>40<br>S=1/2     | <br>60<br>12.7<br>3.2<br>S=1/2             | <br>7<br>60<br>2<br>12.7<br>3.2<br>S=1/2                                                                                                        | <br>7.7<br>30<br>S=1/2 |
| 振止め                                                                                                            | 戸車                                                                                                                            | モヘア                                                                                                                                                                                                                                 | 押えゴム                                                                                                        |
| <br>外れ止め<br>偏芯 (中芯)<br>ブラック | <br>偏芯 (中芯)<br>戸車大<br>戸車調整ビス<br>60<br>ブラック | 6.5mm または 9mm<br><br>4<br>6.5<br>ブラック<br><br>4<br>9<br>ブラック | <br>4.6<br>ブラック        |



# E 4 型 (偏芯戸車・偏芯振止) 参考納まり図



|             |          |             |                              |
|-------------|----------|-------------|------------------------------|
| 東海アルミ工業 (株) |          | 図番          | 1 / 1                        |
| 受領          | 検図       | 製図          | 工事名                          |
| 2014/6/1    | 網尺 1 / 1 | 縮尺          | 図面名 E 4 型 (偏芯戸車・偏芯振止) 参考納まり図 |
| JA          |          | 東海アルミ工業 (株) |                              |